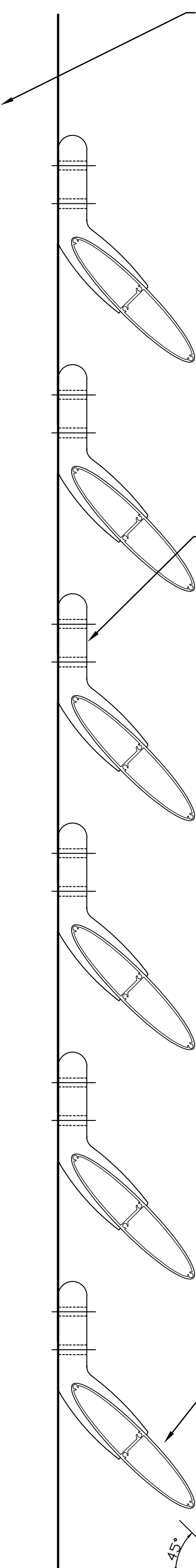


SUPPORT FRAME



FACE FIXED BRACKET

AIR STREAM (ELLIPTICAL LOUVRE BLADE)

45°

Element Control Systems
© Copyright